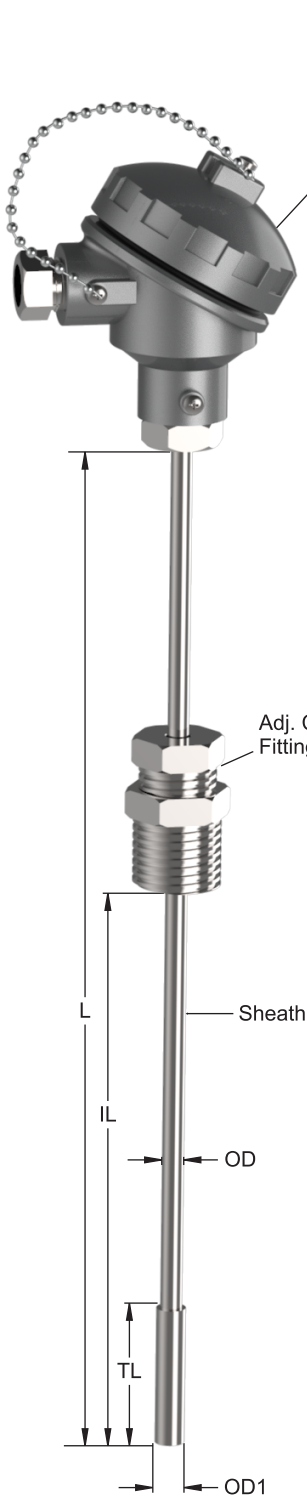


STANDARD RTD WITH HEAD & TIP ASSEMBLY



R-103

RTD Element		1	Pt-100x1, Simplex
		2	Pt-100x2, Duplex
		Other	Consult Factory
Termination Style		A	Die cast Alu A TYPE
		B	Die cast Alu B TYPE
		C1	Die cast Alu IP-67 (Single Entry)
		C2	Die cast Alu IP-67 (Double Entry)
		SS	SS- Head
		M	Miniature Die cast Aluminium
		P	Plastic
		EB1	Die cast Alu Explosion / Flame proof IIB (Zone1 & 2)
		EB2	SS Explosion / Flame proof IIB (Zone1 & 2)
		EC1	Die cast Alu Explosion / Flame proof IIC (T6)
		EC2	SS Flame proof IIC (T6)
		EC3	Die cast Alu Explosion / Flame proof IIC (T6) ATEX
Junction Style		W2	2- Wire
		W3	3- Wire
		W4	4- Wire
Sheath "OD"		3	Ø3mm
		4.5	Ø4.5mm
		6	Ø6mm
		8	Ø8mm
		Other	Consult Factory
Sheath Material		316	SS 316
		Other	Consult Factory
Adj. Comp. Fitting		Threads	1/4"
			1/2"
			3/4"
			3/8"
		B.S.P. / N.P.T.	1"
			1 1/4"
			1 1/2"
			2"
		M-Thread	M20X1.5, M18X1.5, M33X2
		Other	Consult Factory
		N/A	Not Applicable
Tip Length "T.L." (mm)			
Tip Dia "OD1"			
Nominal Length of RTD "L"(mm)			
Calibration Standard		A	ANSI MC96.1
		D	DIN
		I	IEC