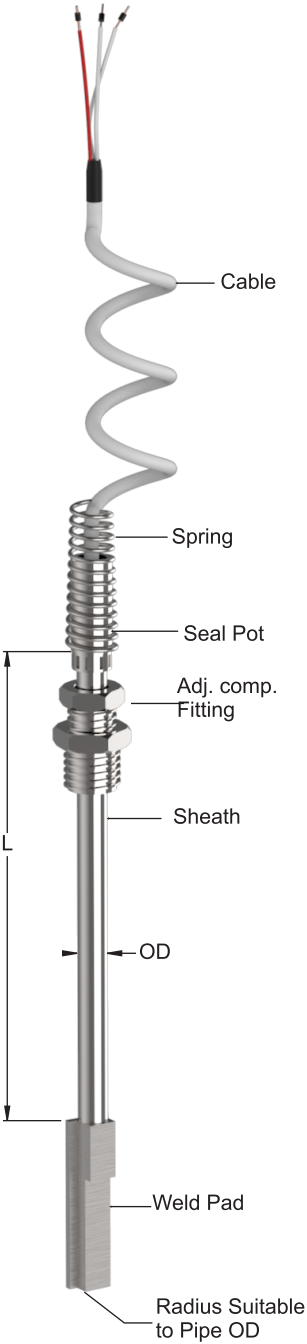


RTD WITH WELD PAD & CABLE



R-206

RTD Element

1	Pt-100x1, Simplex
2	Pt-100x2, Duplex
Other	Consult Factory

Junction Style

W2	2- Wire
W3	3- Wire
W4	4- Wire

Sheath "OD"

3	Ø3mm
4.5	Ø4.5mm
6	Ø6mm
8	Ø8mm
Other	Consult Factory

Sheath Material

316	SS 316
Other	Consult Factory

Weld Pad

A	25X25X50mm, Adj.
B	35X25X15mm, Adj.
C	25X25X5mm, Fixed
Other	Consult Factory

Weld Pad Material

A	SS 316
B	SS 310
Other	Consult Factory

Nominal Length of RTD "L"(mm)

Type of Cable

A	Teflon/Teflon Insulated Flexible Cable
B	Teflon Insulated & SS Braided Flexible Cable
C	FG/FG Insulated Flexible Cable
D	PVC/PVC Insulated Flexible Cable
E	FG/FG/Insulated/SS Braided
Other	Consult Factory

Cable Length (mm)

Calibration Standard

A	ANSI MC96.1
D	DIN
I	IEC