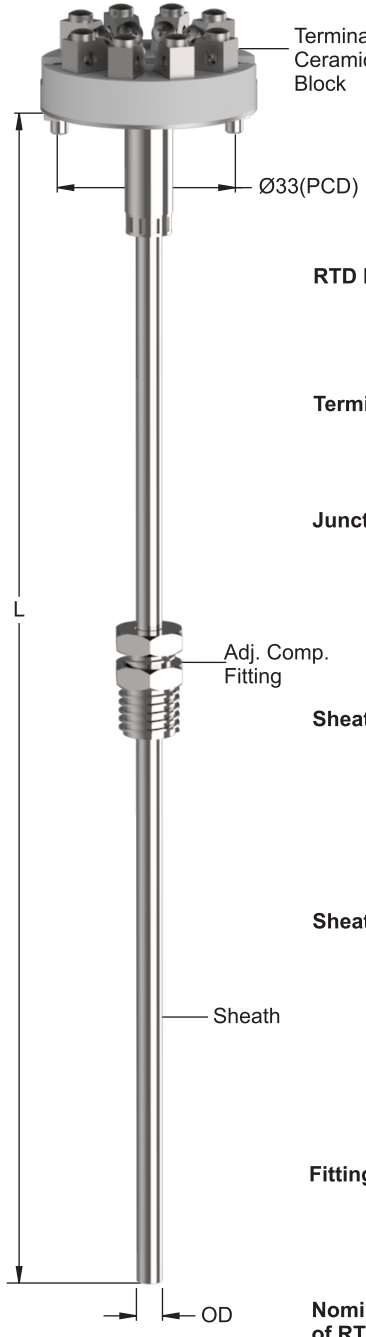


RTD INSET WITH ADJUSTABLE COMPRESSION FITTING

B



R-342

RTD Element

1	Pt-100x1, Simplex
2	Pt-100x2, Duplex
Other	Consult Factory

Termination Style

D	Terminal & Ceramic Block (Spring Loaded)
---	--

Junction Style

W2	2- Wire
W3	3- Wire
W4	4- Wire

Sheath "OD"

3	Ø3mm
4.5	Ø4.5mm
6	Ø6mm
8	Ø8mm
Other	Consult Factory

Sheath Material

316	SS 316
Other	Consult Factory

Fitting

Threads	1/4"
	1/2"
	3/4"
	3/8"
	1"
B.S.P. / N.P.T.	1 1/4"
	1 1/2"
	2"
M-Thread	M20X1.5, M18X1.5, M33X2, M27X2
Other	Consult Factory

Nominal Length of RTD "L" (mm)

Calibration Standard

A	ANSI MC96.1
D	DIN
I	IEC