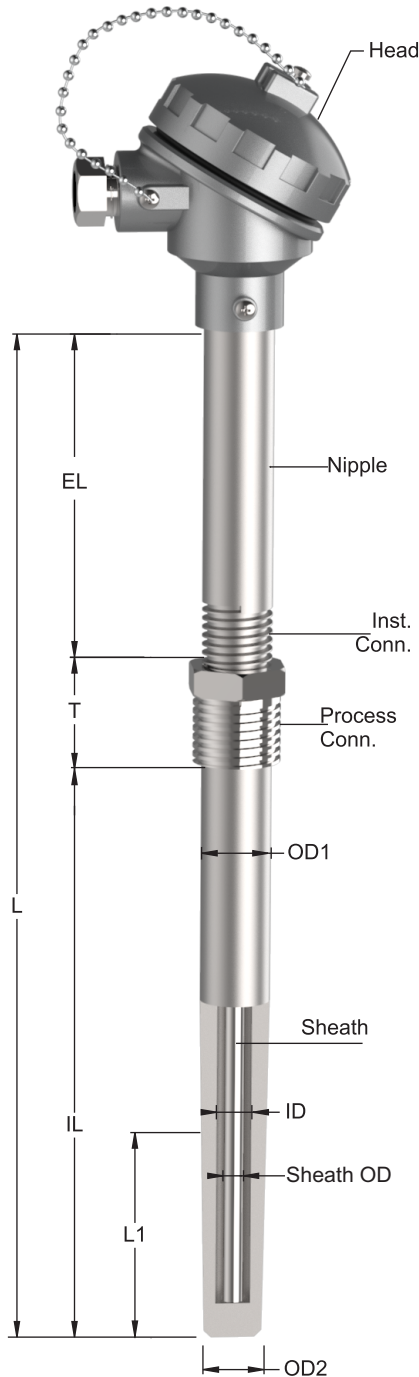


RTD WITH NIPPLE & TAPER THERMOWELL



R-650

RTD Element

1	Pt-100x1, Simplex
2	Pt-100x2, Duplex
Other	Consult Factory

Termination Style

A	Die cast Alu A TYPE
B	Die cast Alu B TYPE
C1	Die cast Alu IP-67 (Single Entry)
C2	Die cast Alu IP-67 (Double Entry)
SS	SS- Head
M	Miniature Die cast Aluminium
P	Plastic

Junction Style

EB1	Die cast Alu Explosion / Flame proof IIB (Zone1 & 2)
EB2	SS Explosion / Flame proof IIB (Zone1 & 2)
EC1	Die cast Alu Explosion / Flame proof IIC (T6)
EC2	SS Flame proof IIC (T6)
EC3	Die cast Alu Explosion / Flame proof IIC (T6) ATEX

Sheath "OD"

W2	2- Wire
W3	3- Wire
W4	4- Wire

Sheath Material

3	Ø3mm
4.5	Ø4.5mm
6	Ø6mm
8	Ø8mm
Other	Consult Factory

Thermowell Material

316	SS 316
Other	Consult Factory

Thermowell OD1 (mm)

316	SS 316
310	SS 310
304	SS 304
600	Inconel-600
800	Inconel-800
446	HRS-446
Other	Consult Factory

Thermowell OD2 (mm)

316	SS 316
310	SS 310
304	SS 304
600	Inconel-600
800	Inconel-800
446	HRS-446
Other	Consult Factory

Thermowell ID (mm)

A	1/2" SCH 80
B	1/2" SCH 40
Other	Consult Factory

Nipple

316	SS 316
310	SS 310
304	SS 304
600	Inconel-600
800	Inconel-800
446	HRS-446
Other	Consult Factory

Length of "T" (mm)

A	1/2" SCH 80
B	1/2" SCH 40
Other	Consult Factory

Process Connection

Threads	1/4"
	1/2"
	3/4"
	3/8"
B.S.P. / N.P.T.	1"
	1 1/4"
	1 1/2"
	2"

Inst. Connection

M-Thread	M20X1.5, M18X1.5, M33X2, M27X2
Other	Consult Factory

Insertion Length (I.L.) (mm)

A	ANSI MC96.1
D	DIN
I	IEC

Tapered Length (L1) (mm)

Extension Length (E.L.) (mm)

Nominal Length of T/C "L" (mm)

Calibration Standard