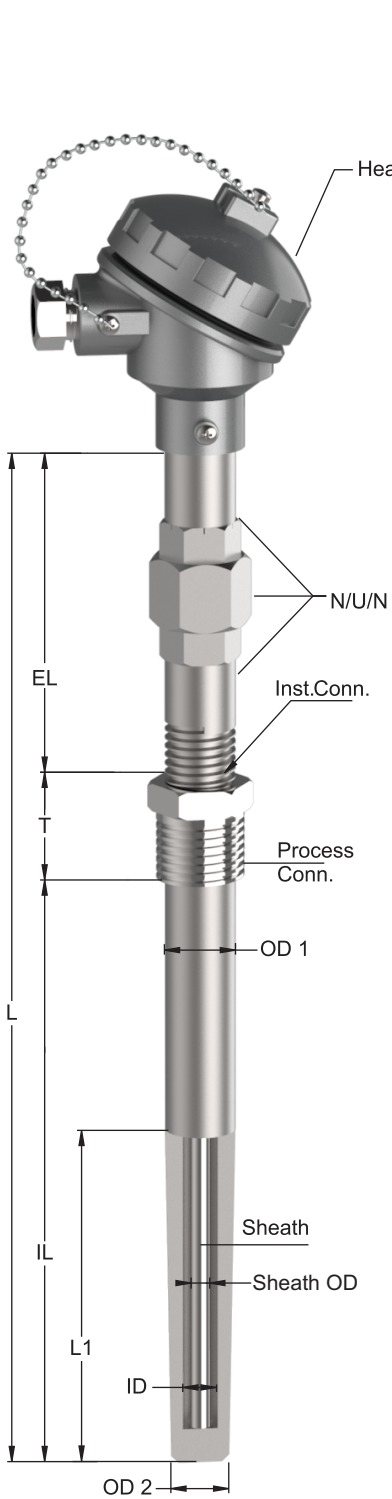


RTD WITH N/U/N & TAPER THERMOWELL



R-651

RTD Element

1	Pt-100x1, Simplex
2	Pt-100x2, Duplex
Other	Consult Factory

Termination Style

A	Die cast Alu A TYPE
B	Die cast Alu B TYPE
C1	Die cast Alu IP-67 (Single Entry)
C2	Die cast Alu IP-67 (Double Entry)
SS	SS- Head
M	Miniature Die cast Aluminium
P	Plastic
EB1	Die cast Alu Explosion / Flame proof IIB (Zone1 & 2)
EB2	SS Explosion / Flame proof IIB (Zone1 & 2)
EC1	Die cast Alu Explosion / Flame proof IIC (T6)
EC2	SS Flame proof IIC (T6)
EC3	Die cast Alu Explosion / Flame proof IIC (T6) ATEX

Junction Style

Sheath "OD"

W2	2- Wire
W3	3- Wire
W4	4- Wire

Sheath Material

3	Ø3mm
4.5	Ø4.5mm
6	Ø6mm
8	Ø8mm
Other	Consult Factory

Thermowell Material

316	SS 316
Other	Consult Factory

Thermowell OD1 (mm)

316	SS 316
310	SS 310
304	SS 304
600	Inconel-600
800	Inconel-800
446	HRS-446
Other	Consult Factory

Thermowell OD2 (mm)

316	SS 316
310	SS 310
304	SS 304
600	Inconel-600
800	Inconel-800
446	HRS-446
Other	Consult Factory

Thermowell ID (mm)

A	1/2" SCH 80
B	1/2" SCH 40
Other	Consult Factory

N/U/N

Threads	1/4"
	1/2"
	3/4"
	3/8"
B.S.P. / N.P.T.	1"
	1 1/4"
	1 1/2"
	2"
M-Thread	M20X1.5, M18X1.5, M33X2, M27X2
Other	Consult Factory

Length of "T" (mm)

Process Connection

Inst. Connection

Insertion Length (I.L.) (mm)

Tapered Length (L1) (mm)

Extention Length (E.L.) (mm)

Nominal Length of T/C "L" (mm)

Calibration Standard

A	ANSI MC96.1
D	DIN
I	IEC