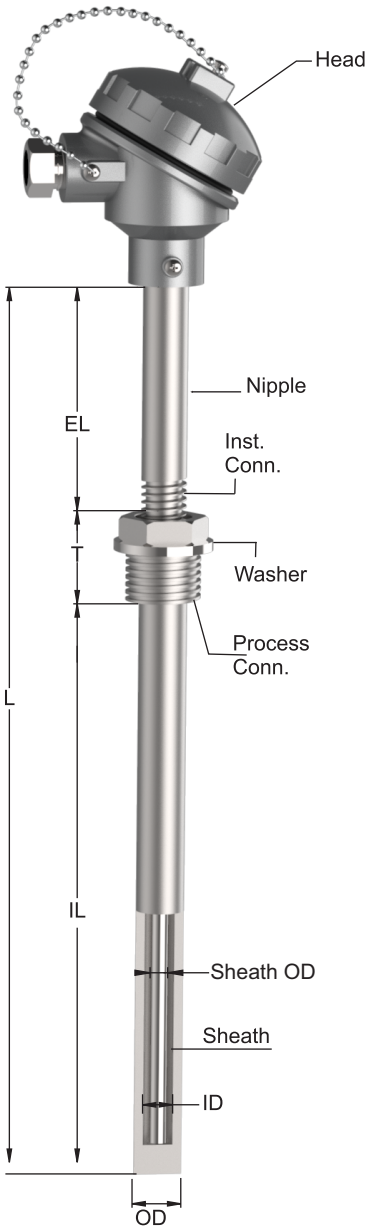


# RTD WITH NIPPLE & STRAIGHT THERMOWELL



## R-655

RTD Element		1	Pt-100x1, Simplex
		2	Pt-100x2, Duplex
		Other	Consult Factory
Termination Style		A	Die cast Alu A TYPE
		B	Die cast Alu B TYPE
		C1	Die cast Alu IP-67 (Single Entry)
		C2	Die cast Alu IP-67 (Double Entry)
		SS	SS- Head
		M	Miniature Die cast Aluminium
		P	Plastic
Junction Style		EB1	Die cast Alu Explosion / Flame proof IIB (Zone1 & 2)
		EB2	SS Explosion / Flame proof IIB (Zone1 & 2)
		EC1	Die cast Alu Explosion / Flame proof IIC (T6)
		EC2	SS Flame proof IIC (T6)
		EC3	Die cast Alu Explosion / Flame proof IIC (T6) ATEX
Sheath "OD"		W2	2- Wire
		W3	3- Wire
		W4	4- Wire
Sheath Material		3	Ø3mm
		4.5	Ø4.5mm
		6	Ø6mm
		8	Ø8mm
		Other	Consult Factory
Thermowell Material		316	SS 316
		Other	Consult Factory
Thermowell OD (mm)		316	SS 316
		310	SS 310
		304	SS 304
		600	Inconel-600
		800	Inconel-800
		446	HRS-446
		Other	Consult Factory
Thermowell ID (mm)		A	1/2" SCH 80
		B	1/2" SCH 40
		Other	Consult Factory
Nipple		Threads	1/4"
			1/2"
			3/4"
			3/8"
Length of "T" (mm)		B.S.P. / N.P.T.	1"
			1 1/4"
			1 1/2"
			2"
Process Connection		M-Thread	M20X1.5, M18X1.5, M33X2, M27X2
Inst. Connection		Other	Consult Factory
Insertion Length (I.L.) (mm)			
Extention Length (E.L.) (mm)			
Nominal Length of T/C "L" (mm)			
Calibration Standard		A	ANSI MC96.1
		D	DIN
		I	IEC