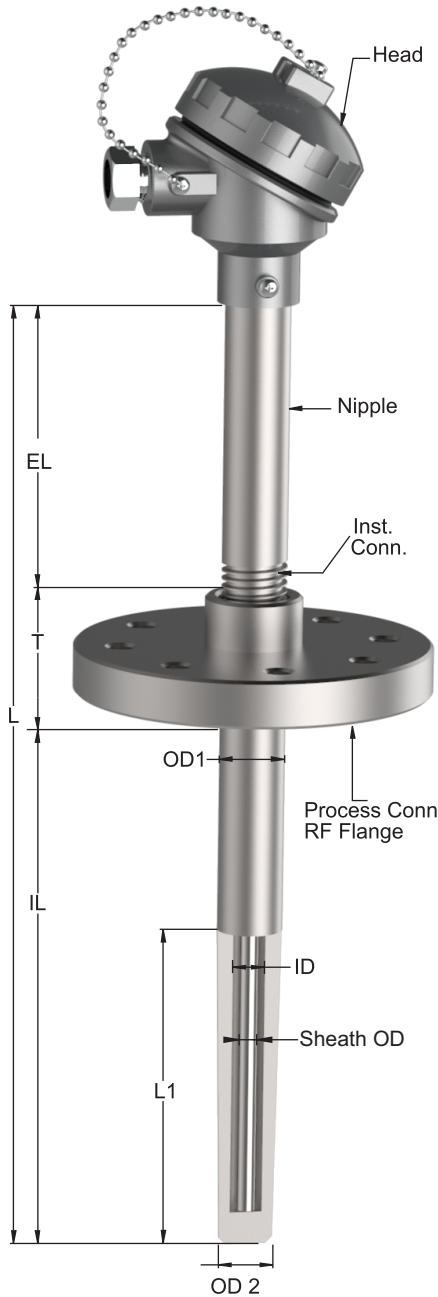


# RTD WITH NIPPLE & TAPER THERMOWELL



**R-726**

RTD Element

Termination Style

Junction Style

Sheath "OD"

Sheath Material

Thermowell Material

Thermowell OD (mm)

Thermowell ID (mm)

Nipple

Length of "T" (mm)

Process Connection

Flange Material

Inst. Connection

Insertion Length (I.L.) (mm)

Tapered Length (L1) (mm)

Extension Length (E.L.) (mm)

Nominal Length of T/C "L" (mm)

Calibration Standard

1	Pt-100x1, Simplex
2	Pt-100x2, Duplex
Other	Consult Factory

A	Die cast Alu A TYPE
B	Die cast Alu B TYPE
C1	Die cast Alu IP-67 (Single Entry)
C2	Die cast Alu IP-67 (Double Entry)
SS	SS- Head
M	Miniature Die cast Alu.
P	Plastic

EB1	Die cast Alu Explosion / Flame proof IIB (Zone1 & 2)
EB2	SS Explosion / Flame proof IIB (Zone1 & 2)
EC1	Die cast Alu Explosion / Flame proof IIC (T6)
EC2	SS Flame proof IIC (T6)
EC3	Die cast Alu Explosion / Flame proof IIC (T6) ATEX

W2	2- Wire
W3	3- Wire
W4	4- Wire

3	Ø3mm
4.5	Ø4.5mm
6	Ø6mm
8	Ø8mm
Other	Consult Factory

316	SS 316
Other	Consult Factory

316	SS 316
310	SS 310
304	SS 304
600	Inconel-600
800	Inconel-800
446	HRS-446
Other	Consult Factory

A	1/2" SCH 80
B	1/2" SCH 40
Other	Consult Factory

Flange Rating	Flange Size	Flange Material
150#	1/2"	SS 316
300#	3/4"	SS 310
400#	1"	SS 304
600#	1 1/2"	Cast Steel
	1 1/4"	
	2"	
Other	Consult Factory	

Threads	1/4"
	1/2"
	3/4"
	3/8"
	1"
	1 1/4"
B.S.P. / N.P.T.	1 1/4"
	1 1/2"
	2"

M-Thread	M20X1.5, M18X1.5, M33X2, M27X2
Other	Consult Factory

A	ANSI MC96.1
D	DIN
I	IEC