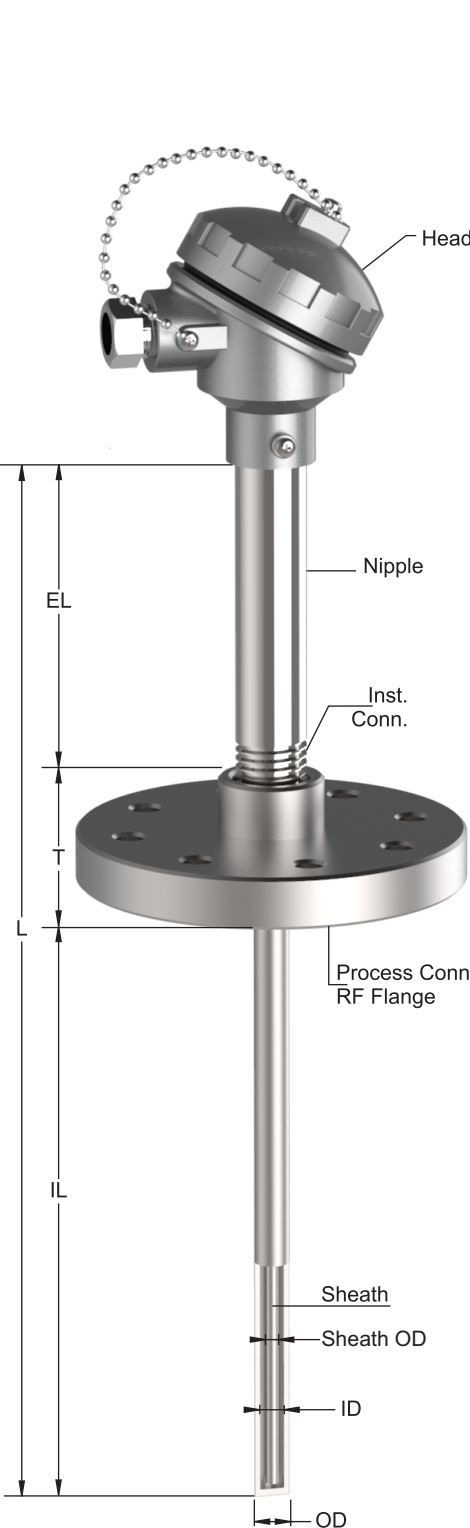


RTD WITH NIPPLE & STRAIGHT THERMOWELL



R-729

RTD Element

Termination Style

Junction Style

Sheath "OD"

Sheath Material

Thermowell Material

Thermowell OD (mm)

ID (mm)

Nipple

Length of "T" (mm)

Process Connection

Flange Material

Inst. Connection

Insertion Length (I.L.) (mm)

Extention Length (E.L.) (mm)

Nominal Length of T/C "L" (mm)

Calibration Standard

1	Pt-100x1, Simplex	
2	Pt-100x2, Duplex	
Other	Consult Factory	
A	Die cast Alu A TYPE	
B	Die cast Alu B TYPE	
C1	Die cast Alu IP-67 (Single Entry)	
C2	Die cast Alu IP-67 (Double Entry)	
SS	SS- Head	
M	Miniature Die cast Alu.	
P	Plastic	
EB1	Die cast Alu Explosion / Flame proof IIB (Zone1& 2)	
EB2	SS Explosion / Flame proof IIB (Zone1 & 2)	
EC1	Die cast Alu Explosion / Flame proof IIC (T6)	
EC2	SS Flame proof IIC (T6)	
EC3	Die cast Alu Explosion / Flame proof IIC (T6) ATEX	
W2	2- Wire	
W3	3- Wire	
W4	4- Wire	
3	Ø3mm	
4.5	Ø4.5mm	
6	Ø6mm	
8	Ø8mm	
Other	Consult Factory	
316	SS 316	
Other	Consult Factory	
316	SS 316	
310	SS 310	
304	SS 304	
600	Inconel-600	
800	Inconel-800	
446	HRS-446	
Other	Consult Factory	
A	1/2" SCH 80	
B	1/2" SCH 40	
Other	Consult Factory	
Flange Rating	Flange Size	Flange Material
150#	1/2"	SS 316
300#	3/4"	SS 310
400#	1"	SS 304
600#	1 1/2"	Cast Steel
	2"	
Other	Consult Factory	
Threads	1/4"	
	1/2"	
	3/4"	
	3/8"	
	1"	
B.S.P. / N.P.T.	1 1/4"	
	1 1/2"	
	2"	
M-Thread	M20X1.5, M18X1.5, M33X2, M27X2	
Other	Consult Factory	
A	ANSI MC96.1	
D	DIN	
I	IEC	