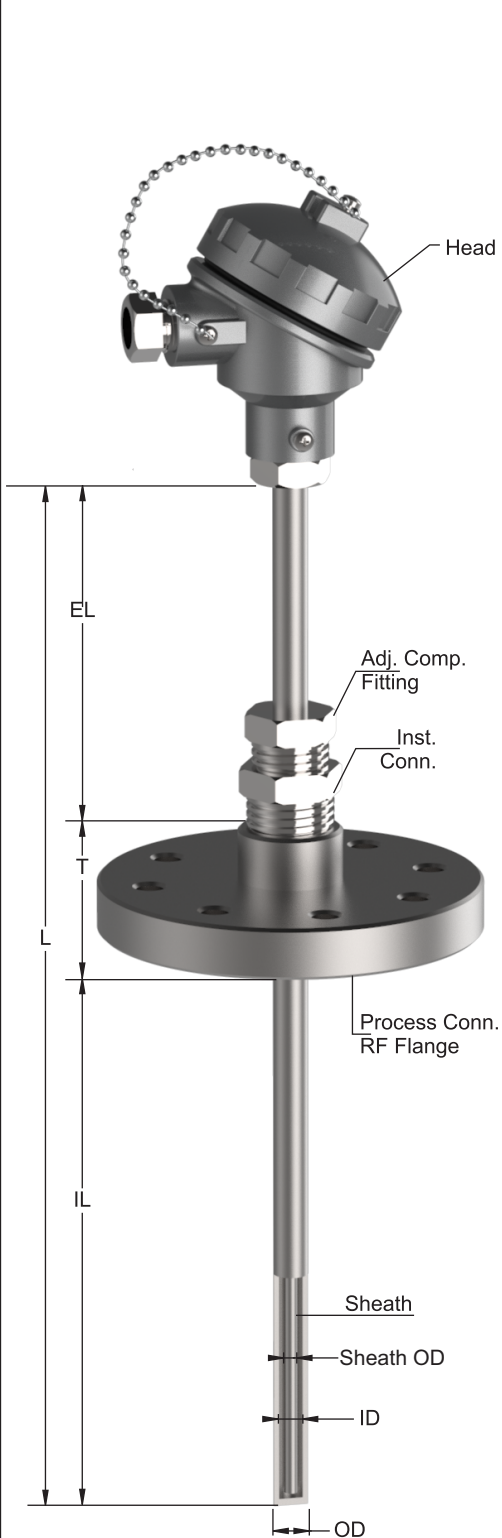


RTD WITH STRAIGHT THERMOWELL & FLANGE



R-731

RTD Element		1	Pt-100x1, Simplex	
		2	Pt-100x2, Duplex	
		Other	Consult Factory	
Termination Style		A	Die cast Alu A TYPE	
		B	Die cast Alu B TYPE	
		C1	Die cast Alu IP-67 (Single Entry)	
		C2	Die cast Alu IP-67 (Double Entry)	
		SS	SS- Head	
		M	Miniature Die cast Alu.	
Junction Style		P	Plastic	
		EB1	Die cast Alu Explosion / Flame proof IIB (Zone1 & 2)	
		EB2	SS Explosion / Flame proof IIB (Zone1 & 2)	
		EC1	Die cast Alu Explosion / Flame proof IIC (T6)	
		EC2	SS Flame proof IIC (T6)	
		EC3	Die cast Alu Explosion / Flame proof IIC (T6) ATEX	
Sheath "OD"		W2	2- Wire	
		W3	3- Wire	
		W4	4- Wire	
		3	Ø3mm	
Sheath Material		4.5	Ø4.5mm	
		6	Ø6mm	
		8	Ø8mm	
		Other	Consult Factory	
		316	SS 316	
Thermowell Material		Other	Consult Factory	
		316	SS 316	
Thermowell OD (mm)		310	SS 310	
		304	SS 304	
		600	Inconel-600	
		800	Inconel-800	
		446	HRS-446	
		Other	Consult Factory	
Length of "T" (mm)		Flange Rating	Flange Size	Flange Material
		150 #	1/2"	SS 316
		300 #	3/4"	SS 310
		400 #	1"	SS 304
		600 #	1 1/2"	Cast Steel
Process Conn.		1 1/4"		
		2"		
		Other		Consult Factory
		Flange Material		
Inst. Conn.		Threads	1/4"	
			1/2"	
			3/4"	
			3/8"	
			1"	
Adj. Comp. Fitting		B.S.P. / N.P.T.	1 1/4"	
			1 1/2"	
			2"	
		M-Thread	M20X1.5, M18X1.5, M33X2, M27X2	
Insertion Length (I.L.) (mm)		Other	Consult Factory	
Extention Length (E.L.) (mm)				
Nominal Length of T/C "L" (mm)				
Calibration Standard		A	ANSI MC96.1	
		D	DIN	
		I	IEC	